

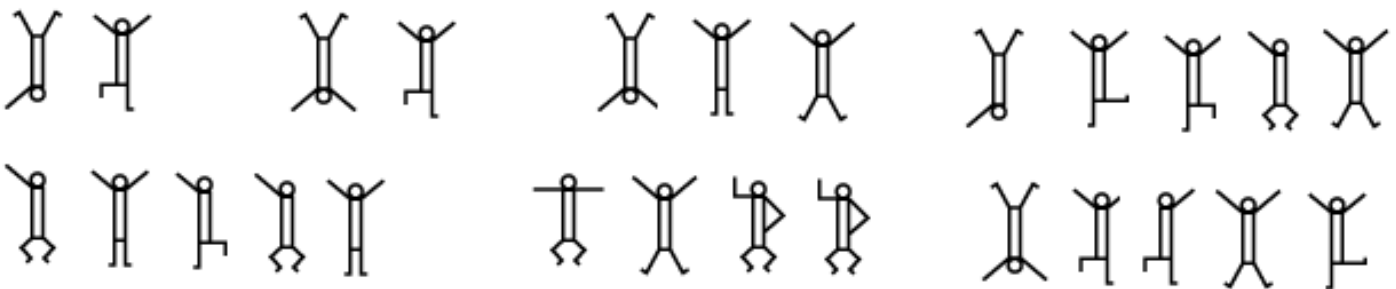
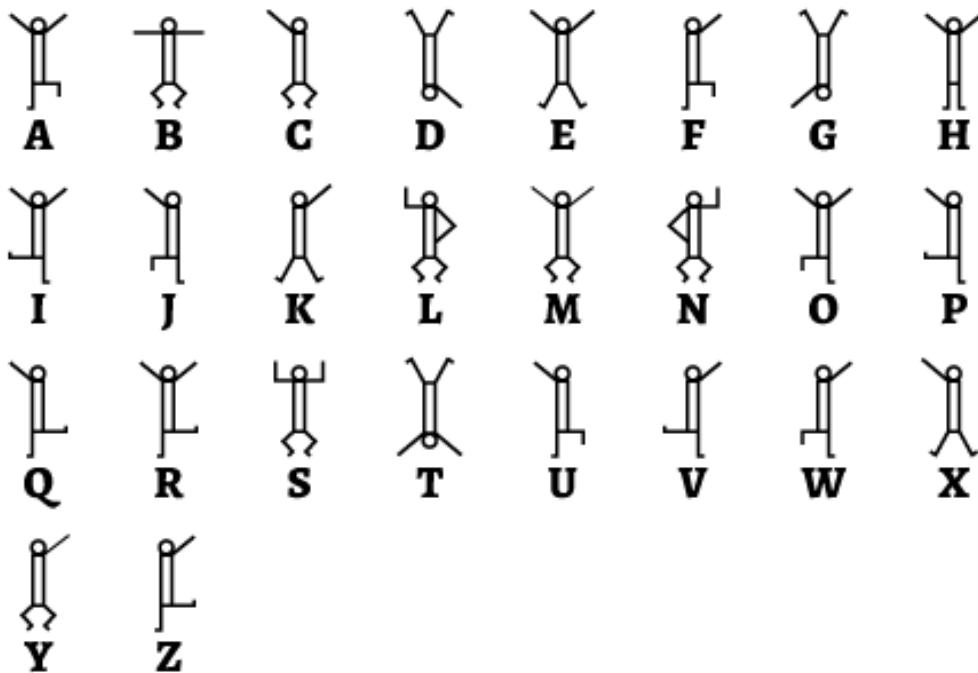
Clue 1

Neighbourhood Social Distancing Treasure Hunt!

Welcome to our SDTH! There are 5 clues and approximately 1.5 km of walking. Each clue has one silver letter on it, find all to unscramble the secret code word.

Please do not remove, touch, or write on clues and make sure to keep your distance! Consider taking pictures of the clues so you can have them on hand.

To start, solve this Dancing Man Cipher to find the location of your next clue!



Clue 2

*The next stop is somewhere for sure,
You've been to buy some literature.
Perfect now to window shop,
Ever so close, just a skip and a hop.
Biographies, fiction, all the bestsellers,
Or maybe some back-shelf dwellers.
Over the phone orders are guaranteed,
Kids toys, games and plenty to read.
Surely there you'll find what you need!*

This is Clue 2 of the Social Distancing Treasure Hunt. If you would like to try it, Clue 1 is at the Little Free Library on Russell Hill just north of Lonsdale.

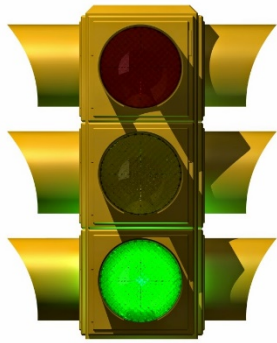
Clue 3

Can you find the next clue? The next clue is on a boat at the corner of Kippax.

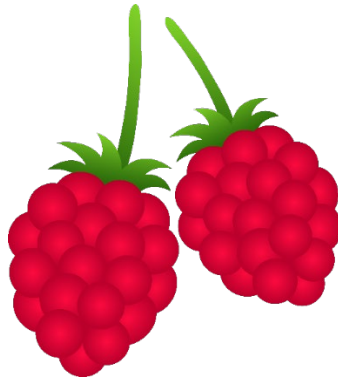
This is Clue 4 of the Social Distancing Treasure Hunt. If you would like to try it, Clue 1 is at the Little Free Library on Russell Hill just north of Lonsdale.

Clue 4 Rebus Puzzle

Try and solve this picture clue



2



&



This is Clue 4 of the Social Distancing Treasure Hunt. If you would like to try it, Clue 1 is at the Little Free Library on Russell Hill just north of Lonsdale.

Clue 5

7 15 20 15 20 8 5

12 1 13 16 16 15 19 20

1 20 20 8 5

19 15 21 20 8 23 5 19 20

3 15 18 14 5 18 15 6

2 9 19 8 15 16

19 20 18 1 3 8 1 14

A - 1	E - 5	I - 9	M - 13	Q - 17	U - 21	Y - 25
B - 2	F - 6	J - 10	N - 14	R - 18	V - 22	Z - 26
C - 3	G - 7	K - 11	O - 15	S - 19	W - 23	
D - 4	H - 8	L - 12	P - 16	T - 20	X - 24	

**This is Clue 4 of the Social Distancing Treasure Hunt.
If you would like to try it, Clue 1 is at the Little Free
Library on Russell Hill just north of Lonsdale.**



You've solved our Social Distancing Treasure Hunt! Can you unscramble the code word? You can message us on Instagram or email to see if you got it right!

This the last stop of the Social Distancing Treasure Hunt. If you would like to try it, Clue 1 is at the Little Free Library on Russell Hill just north of Lonsdale.